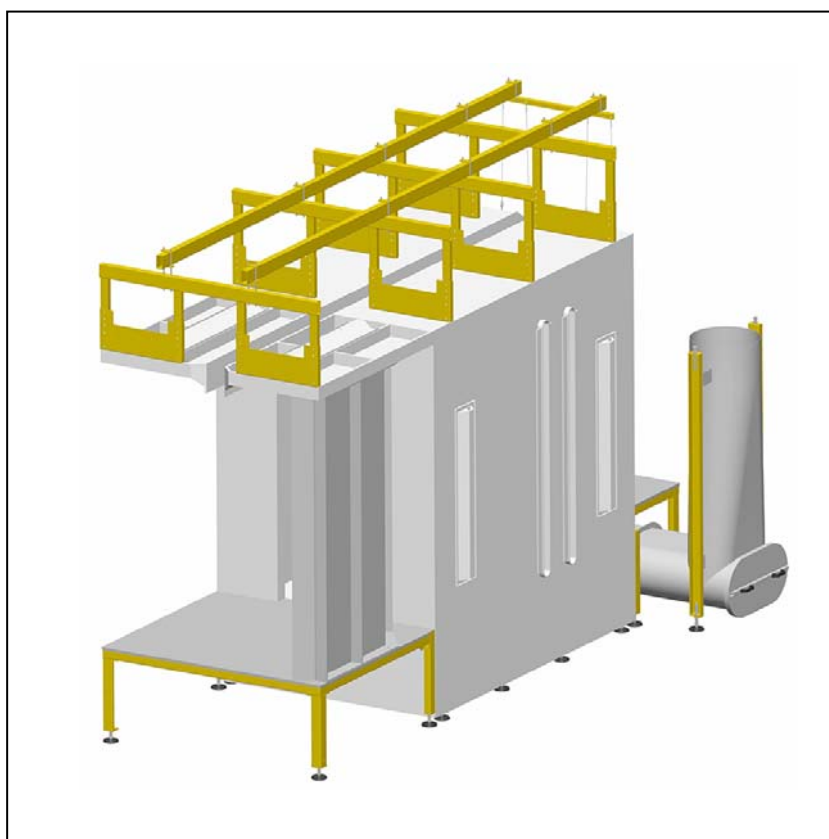


---

Operating instructions and spare parts list

# MagicCompact BA03 Powder coating booth



Translation of the original operating instructions

## Documentation MagicCompact BA03 powder coating booth

© Copyright 2009 Gema Switzerland GmbH

All rights reserved.

This publication is protected by copyright. Unauthorized copying is prohibited by law. No part of this publication may be reproduced, photocopied, translated, stored on a retrieval system or transmitted in any form or by any means for any purpose, neither as a whole nor partially, without the express written consent of Gema Switzerland GmbH.

OptiTronic, OptiGun, EasyTronic, EasySelect, EasyFlow and SuperCorona are registered trademarks of Gema Switzerland GmbH.

OptiMatic, OptiMove, OptiMaster, OptiPlus, MultiTronic and Gematic are trademarks of Gema Switzerland GmbH.

All other product names are trademarks or registered trademarks of their respective holders.

Reference is made in this manual to different trademarks or registered trademarks. Such references do not mean that the manufacturers concerned approve of or are bound in any form by this manual. We have endeavored to retain the preferred spelling of the trademarks, and registered trademarks of the copyright holders.

To the best of our knowledge and belief, the information contained in this publication was correct and valid on the date of publication. Gema Switzerland GmbH makes no representations or warranties with respect to the contents or use of this publication, and reserves the right to revise this publication and make changes to its content without prior notice.

### Printed in Switzerland

Gema Switzerland GmbH  
Mövenstrasse 17  
9015 St.Gallen  
Switzerland

Phone: +41-71-313 83 00

Fax.: +41-71-313 83 83

E-Mail: [info@gema.eu.com](mailto:info@gema.eu.com)

Homepage: [www.gemapowdercoating.com](http://www.gemapowdercoating.com)

# Table of contents

<b>General safety regulations</b>	<b>3</b>
Safety symbols (pictograms) .....	3
Conformity of use .....	3
Technical safety regulations for stationary electrostatic powder spraying equipment.....	4
General information .....	4
Safety conscious working.....	5
Individual safety regulations for the operating firm and/or operating personnel.....	5
Notes on special types of hazard .....	6
Safety requirements for electrostatic powder coating .....	7
A summary of the directives and standards .....	8
Product-specific safety measures .....	9
Installation .....	9
Operating the equipment.....	10
Inspection check.....	10
Entering the booth .....	10
Repairs .....	10
<b>About this manual</b>	<b>11</b>
General information .....	11
<b>Design and function</b>	<b>13</b>
Field of application .....	13
Function description .....	13
Operational procedure.....	14
Powder flow.....	15
Booth - superstructure.....	15
Booth - basement .....	16
Floor blow-off system .....	17
Powder suction .....	18
Exhaust air system with After Filter .....	18
Fire protection .....	19
Cleaning operation mode .....	19
Automatic booth cleaning .....	19
Powder recovery .....	19
Automatic guns.....	20
Cleaning the guns .....	20
<b>Technical data</b>	<b>23</b>
MagicCompact BA03 powder coating booth .....	23
Electrical data .....	23
Pneumatic data .....	23
Compressed air consumption .....	23
Dimensions.....	23
Sound pressure level.....	24

<b>Start-up</b>	<b>25</b>
Set-up and assembly .....	25
Installation .....	25
Cable connections / junctions .....	25
Grounding .....	25
<b>Operation</b>	<b>27</b>
Before switching on the booth .....	27
Switch on the booth .....	27
Switching off the booth.....	27
Alarm messages .....	28
Filter cleaning.....	28
Color change and cleaning .....	28
<b>Maintenance</b>	<b>31</b>
Maintenance and repair .....	31
Daily or after each shift .....	31
Weekly .....	31
Biannually .....	31
Maintenance and repair of the cyclone separator .....	32
Maintenance and repair of the sieve machine .....	32
Maintenance of the After Filter pressure gauges (filter and fan) .....	32
Replacing spare parts .....	32
Functional check .....	33
General information .....	33
Procedure of the function check .....	33
<b>Troubleshooting</b>	<b>35</b>
General information .....	35
Problem fixing .....	35
Setting values .....	37
<b>Spare parts list</b>	<b>39</b>
Ordering spare parts .....	39
MagicCompact BA03 - spare parts list .....	40
Floor blow-off system - Pneumatics.....	41
Pressure regulator .....	42
Sensor/Actor Box .....	43
MagicCompact BA03 - gun blow off equipment .....	44
MagicCompact BA03 - door drive unit .....	46
MagicCompact BA03 - fan control unit .....	48

# General safety regulations

This chapter sets out the fundamental safety regulations that must be followed by the user and third parties using the MagicCompact BA03 powder coating booth.

These safety regulations must be read and understood before the MagicCompact BA03 powder coating booth is put into operation.

---

## Safety symbols (pictograms)

The following warnings with their meanings can be found in the Gema operating instructions. The general safety precautions must also be followed as well as the regulations in the operating instructions.

**DANGER!**

danger due to live electricity or moving parts. Possible consequences: death or serious injury

**WARNING!**

improper use of the equipment could damage the machine or cause it to malfunction. Possible consequences: minor injuries or damage to equipment

**INFORMATION!**



Useful tips and other information

---

## Conformity of use

1. The MagicCompact BA03 powder coating booth is built to the latest specification and conforms to the recognized technical safety regulations and is designed for the normal application of powder coating.
2. Any other use is considered non-compliant. The manufacturer shall not be liable for damage resulting from such use; the user bears sole responsibility for such actions. If the MagicCompact BA03 powder coating booth is to be used for other purposes or other substances outside of our guidelines then Gema Switzerland GmbH should be consulted.

3. Observance of the operating, service and maintenance instructions specified by the manufacturer is also part of conformity of use. The MagicCompact BA03 powder coating booth should only be used, maintained and started up by trained personnel, who are informed about and are familiar with the possible hazards involved.
4. Start-up (i.e. the execution of a particular operation) is forbidden until it has been established that the MagicCompact BA03 powder coating booth has been set up and wired according to the guidelines for machinery (2006/42 EG). EN 60204-1 (machine safety) must also be observed.
5. Unauthorized modifications to the MagicCompact BA03 powder coating booth exempts the manufacturer from any liability from resulting damage.
6. The relevant accident prevention regulations, as well as other generally recognized safety regulations, occupational health and structural regulations are to be observed.
7. Furthermore, the country-specific safety regulations also must be observed.

Explosion protection	Protection type
 	IP54

---

## Technical safety regulations for stationary electrostatic powder spraying equipment

### General information

Stationary Gema Switzerland GmbH electrostatic spraying equipment is built to the "state of the art" and is operationally safe. This equipment can be dangerous if it is not used for its specified purpose. Consequently it should be noted that there exists a danger to life and limb of the user or third party, a danger of damage to the equipment and other machinery belonging to the user and a hazard to the efficient operation of the equipment.

1. The powder spraying equipment should only be started up and used once the operating instructions have been carefully studied. Incorrect operation of the control unit can lead to accidents, malfunctions or damage to the control itself or to the plant.
2. Before every start-up check the equipment for operational safety (regular servicing is essential)!
3. The local safety guidelines are to be followed for safe operation.
4. Please observe the local safety regulations!
5. Disconnect the plugs before the machines are opened for repair.
6. The plug connections between the powder spraying equipment and the mains should only be removed when the power supply is switched off.

7. The connecting cables between the control unit and the spray gun must be installed so as to eliminate the possibility of damage during the operation. Please observe the local safety regulations!
8. Only original Gema spare parts should be used, because the explosion protection will also be preserved that way. Any warranty claim for damage caused by the use of foreign parts is void.
9. If Gema Switzerland GmbH powder spraying equipment is used in conjunction with machinery from other manufacturers, then their safety regulations must also be taken into account.
10. Before starting work, familiarize yourself with all installations and operating elements, as well as with their functions! Familiarization during operation is too late!
11. Take care when working with a powder/air mixture! A powder/air mixture in the right concentration is flammable! Smoking is forbidden in the entire plant area!
12. As a general rule for all powder spraying installations, persons with pacemakers should never enter high voltage areas or areas with electromagnetic fields. Persons with pacemakers should not enter areas with powder spraying installations!




---

**WARNING!**

**We point out that the customer himself is responsible for the safe operation of the equipment. Gema Switzerland GmbH is in no way responsible for any resulting damage!**

---

## Safety conscious working

Each person responsible for the assembly, start-up, operation, service and repair of powder spraying equipment must have read and understood the operating instructions and the "Safety regulations" chapter. The operator must ensure that the user has had the appropriate training for powder spraying equipment and is aware of the possible sources of danger.

The booth should only be used by trained and authorized personnel. This applies to modifications to the electrical equipment, which should only be carried out by a specialist.

The operating instructions and the necessary closing down procedures must be followed before any work is carried out concerning the set-up, start-up, operation, modification, operating conditions, mode of operation, servicing, inspection or repairs.

The booth can be turned off by using the main switch or failing that, the emergency shut-down. Individual components can be turned off during operation by using the appropriate switches.

## Individual safety regulations for the operating firm and/or operating personnel

1. Any operating method, which will negatively influence the technical safety of the powder spraying equipment, is to be avoided.
2. The operator should care about no non-authorized personnel works on the powder spraying equipment (e.g. this also includes using the equipment for non-conform work).

3. For dangerous materials, the employer has to provide an operating instructions manual for specifying the dangers arising for humans and environment by handling dangerous materials, as well as the necessary preventive measures and behavior rules. The operating instructions manual has to be written in an understandable form and in the language of the persons employed, and has to be announced in a suitable place in the working area.
4. The operator is under obligation to check the powder spraying equipment at least once every shift for signs of external damage, defects or changes (including the operating characteristics) which could influence safety and to report them immediately.
5. The operator is obliged to check that the powder spraying equipment is only operated when in satisfactory condition.
6. As far as it is necessary, the operating firm must ensure that the operating personnel wear protective clothing (e.g. facemasks).
7. The operating firm must guarantee cleanliness and an overview of the workplace with suitable instructions and checks in and around the powder spraying equipment.
8. The safety devices may not be dismantled or put out of operation. If the dismantling of a safety device for set-up, repair or servicing is necessary, reassembly of the safety devices must take place immediately after the maintenance or repair work is finished. All maintenance activities must take place when the powder spraying equipment is switched off. The operator must train and commit the responsible personnel to this.
9. Activities, such as checking powder fluidization or checking the high voltage spray gun etc., must be carried out with the powder spraying equipment switched on.

## Notes on special types of hazard

### ***Power/tension***

It is necessary to refer once more to the danger of life from high voltage current if the shutdown procedures are not observed. High voltage equipment must not be opened - the plug must first be taken out - otherwise there is danger of electric shock.

### ***Powder***

Powder/air mixtures can be ignited by sparks. There must be sufficient ventilation in the powder coating booth. Powder lying on the floor around the powder spraying equipment is a potentially dangerous source of slipping.

### ***Static charges***

Static charges can have the following consequences: Charges to people, electric shocks, sparking. Charging of objects must be avoided - see chapter "Grounding".

### ***Grounding***

All electricity conducting parts found in the workplace (1 meter around each booth opening, according to EN 12981), and particularly the objects to be coated, have to be grounded. The grounding resistance of each object must amount to maximally 1 M $\Omega$ . The resistance must be tested



regularly. The condition of the work piece attachments, as well as the hangers, must guarantee that the work pieces remain grounded. If the grounding of the machinery includes the suspension arrangements, then these must constantly be kept clean in order to guarantee the necessary conductivity. The appropriate measuring devices must be kept ready in the workplace, in order to check the grounding.

### ***Compressed air***

When there are longer pauses or stand-still times between working, the powder spraying equipment should be drained of compressed air. There is a danger of injury when pneumatic hoses are damaged and from the uncontrolled release and improper use of compressed air.

### ***Crushing and cutting***

During operation, moving parts may automatically start to move in the operating area. It must be ensured that only instructed and trained personnel go near these parts. The operator should ensure that barriers comply with the local security regulations.

### ***Access under exceptional circumstances***

The operating firm must ensure that local conditions are met when repairs are made to the electronic parts or when the equipment is restarted so that there are additional measures such as barriers to prevent unauthorized access.

### ***Prohibition of unauthorized conversions and modifications to machines***

All unauthorized conversions and modifications to the electrostatic spraying equipment are forbidden for safety reasons.

The powder spraying equipment should not be used if damaged, the faulty part must be immediately replaced or repaired. Only original Gema spare parts should be used! Any warranty claim for damage caused by the use of foreign parts is void.

Repairs must only be carried out by specialists or by authorized Gema service centers. Unauthorized conversions and modifications can lead to injuries and damage to the equipment. The Gema Switzerland GmbH guarantee would no longer be valid.

## **Safety requirements for electrostatic powder coating**

1. This equipment is dangerous if the instructions in this operating manual are not followed.
2. All electrically conductive parts located in the zone 22 and especially the work pieces must be grounded.
3. The floor of the coating area must conduct electricity (normal concrete is generally conductive).
4. The operating personnel must wear electrically conductive footwear (e.g. leather soles).
5. The operating personnel should hold the gun with bare hands. If gloves are worn, these must also conduct electricity.
6. The supplied grounding cable (green/yellow) must be connected to the grounding screw of the electrostatic manual powder coat-

ing equipment. The grounding cable must have a good metallic connection with the coating booth, the recovery unit and the conveyor chain, respectively with the suspension arrangement of the objects.

7. The electricity and powder supply to the hand guns must be set up so that they are fully protected against heat and chemical damage.
8. The powder coating equipment may not be switched on until the booth is in operation. If the booth stops, the powder coating device must switch off too.
9. The grounding of all electricity conducting devices (e.g. hooks, conveyor chains) must be checked on a weekly basis. The grounding resistance must amount to maximally 1 MOhm.
10. The control device must be switched off if the hand gun is cleaned or the nozzle is changed.
11. When working with cleaning agents there may be a risk of hazardous fumes. The manufacturers instructions must be observed when using such cleaning agents.
12. The manufacturers instructions and the applicable environmental requirements must be observed when disposing of powder lacquer and cleaning agents.
13. If any part of the spray gun is damaged (broken parts, fractures) or missing, then it should not be used.
14. For your own safety, only use accessories and attachments listed in the operating instructions. The use of other parts can lead to risk of injury. Only original Gema spare parts should be used!
15. Repairs must only be carried out by specialists and under no circumstances should they be carried out in the operating area. The former protection must not be reduced.
16. Conditions leading to dangerous levels of dust concentration in the powder spraying booths or in the powder spraying areas must be avoided. There must be sufficient technical ventilation available, to prevent a dust concentration of greater than 50% of the lower explosion limit (UEG = max. permissible powder/air concentration). If the UEG is not known, then a value of 10 g/m<sup>3</sup> should be considered.

## A summary of the directives and standards

### *European directives RL*

2006/42/EC	Machinery
94/9/EC	Equipment and Protective Systems Intended for Use in Potentially Explosive Atmospheres
2004/108/EC	Electromagnetic Compatibility (EMC)
87/404/EC	Simple Pressure Vessels

### **EN European standards**

EN ISO 12100-1: 2004	Safety of Machinery – Basic Concepts, General Principles for Design –Part 1: Basic Terminology, Methodology
EN ISO 12100-2: 2004	Safety of Machinery – Basic Concepts, General Principles for Design – Part 2: Technical Principles
EN ISO 14121-1: 2007	Safety of Machinery – Risk Assessment, Part 1: Principles
EN 60204-1: 2006	Safety of Machinery – Electrical Equipment of Machines – Part 1: General Requirements
EN 13980:2002	Potentially Explosive Atmospheres – Application of Quality Systems
EN ISO 9001: 2008	Quality Management Systems – Requirements
EN 12981+A1: 2009	Coating Plants – Spray Booths for Application of Organic Powder Coating Material – Safety Requirements
EN 50177:2006	Automatic Electrostatic Spraying Equipment for Flammable Coating Powder
EN 1953:1998	Atomising and Spraying Equipment for Coating Materials
EN 61241-0:2006	Electrical Apparatus for Use in the Presence of Combustible Dust – General Requirements
EN 61241-2-2: 1995	Electrical Apparatus for Use in the Presence of Combustible Dust – Part 2: Test Methods
EN 61241-10: 2004	Electrical Apparatus for Use in the Presence of Combustible Dust – Part 10: Classification of Areas Where Combustible Dusts Are or May Be Present
EN 1127-1:2008	Explosive Atmospheres – Basic Concepts and Methodology

## **Product-specific safety measures**

### **Installation**

- Installation work performed by the customer must be carried out according to local regulations.
- Before starting up the plant a check must be made that no foreign objects are in the booth or in the ducting (input and exhaust air)
- All components must be grounded according to the local regulations before start-up.
- The booth grounding is to be checked at every start-up. The grounding connections are customer specific, and are made on the base of the booth. The grounding of the workpieces and other plant units must also be checked.

## Operating the equipment

In order to be able to operate the equipment safely, it is necessary to be familiar with the safety regulations, the operational characteristics and functioning of the various plant units.

For this purpose, read the safety notes, this operating manual and the operating instructions of the control unit with touch panel, before starting up the plant.

In addition, all further equipment-specific operating instructions, e.g. the OptiFlex or OptiMatic and all additional components should also be read.

To obtain practice in operating the plant, it is absolutely essential to start the operation according to the operating instructions. Also, later on, they serve as a useful aid on possible malfunctions or uncertainty and will make many enquiries unnecessary. For this reason, the operating manual must always be available at the equipment.

Should difficulties arise, however, your Gema service center is always ready to assist.

## Inspection check

The following points are to be checked at every booth start-up:

- No foreign material in the central suction unit in the booth and in the powder suction
- Pneumatic conduction and powder hose are connected to the dense phase conveyor
- Pneumatic conduction to the After Filter is connected, the filter element door is closed, the waste container is placed and fitted

## Entering the booth

Because of its design, the booth needs nearly never to be entered. Checks or cleaning can take place from the booth openings without problems




---

**Warning:**  
**Danger of slipping and/or injury!**

---

## Repairs




---

**Warning:**  
**Carrying out of repairs is only permitted when the booth is switched off, and must be done only by trained personnel!**

---

# About this manual

---

## General information

This operating manual contains all the important information which you require for the working with the MagicCompact BA03 powder coating booth. It will safely guide you through the start-up process and give you references and tips for the optimal use of your new powder coating system.

Information about the function mode of the individual system components - booth, gun control unit, manual gun or powder injector - should be referenced to their corresponding documents.



# Design and function

---

## Field of application

MagicCompact coating booths are used for the electrostatic powder coating of all types of workpieces in large batches with frequent color changes. As part of the process controlled coating plant, they are laid out for fully automatic operation.

The most important characteristics of the MagicCompact BA03 coating booths are:

- Superstructure and booth basement in plastic material
- Low booth basement height
- Permanent powder suction from the entire booth floor (suction openings integrated into the booth floor)
- Automatic floor cleaning (no powder accumulation)
- Integrated exhaust air main collector
- Fast color change by one person
- The guns are arranged vertically

---

## Function description

The principle of function is determined by the requirements placed on the booth, which are:

- The protection of the coating process from external influences, combined with keeping the area around the booth clean
- The powder recovery
- The avoidance of an explosive powder/air mixture inside the booth

An efficient exhaust air system is used to keep the area around the booth clean and to prevent explosive powder/air mixtures.

The fan in the After Filter extracts the air from the inside of the booth through the cyclone and afterwards through the filter elements. The air stream created thereby, flowing from the outside to the inside of the booth, prevents powder escaping to the environment of the booth, so that keeping the area around the booth clean is guaranteed. The maintenance of the air flow prevents as well the creation of dangerous powder/air mixtures.

The powder recovery takes place by the powder separation in the cyclone separator during operation.

The booth control takes place by the corresponding control unit with operating interface.

The gun control units are fitted into one or two control cabinets. The switching on and off of the guns takes place by the gap detection unit in the automatic mode.



---

**Note:**

**More detailed information about the control units/components and the operating interfaces are found in the corresponding user manuals!**

---

## Operational procedure



---

**Note:**

**Only the multiple color version is described in this user manual!**

---

By switching on the booth, the fan in the After Filter starts up and after the start-up phase, the plant units which are interlocked with the booth are released.

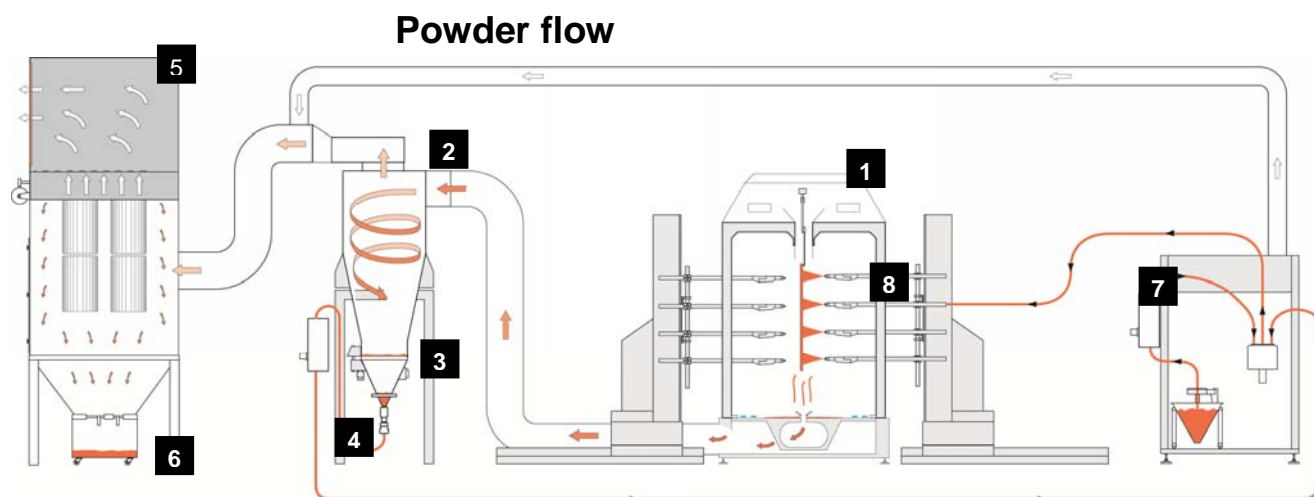
The operational condition is reached as soon as all external plant units, such as chain conveyor, powder center, reciprocators (optionally), fire protection (optionally) etc. are switched on.

The operating functions in the powder center can be released now and the coating process can begin. This process is interrupted only if a ventilator motor malfunction is present. Other malfunctions are indicated by an alarm or a message, displayed on the control cabinet.

The suction effect of the filters is monitored during operation. Therefore, the differential pressure and thus the suction performance of the exhaust air system is measured. A blockage of the filter elements is indicated by a decrease of the suction performance (the differential pressure arises). By reaching a fixed preset value, a signal lamp on the control cabinet illuminates and at the same time an alarm sounds.

(Detailed information about the After Filter is found in the corresponding operating manual).





*MagicCompact - powder flow in the plant*

- |                        |                    |
|------------------------|--------------------|
| 1 Booth                | 5 After Filter     |
| 2 Cyclone separator    | 6 Refuse container |
| 3 Sieve                | 7 Powder center    |
| 4 Dense phase conveyor | 8 Automatic guns   |

The powder container is located in the powder center (7). Here, the powder is vibrated and fluidized. The injectors transport the powder through the hoses to the guns (8). The guns spray the powder/air mixture onto the workpieces to be coated.

The powder which does not adhere on the workpieces falls on the booth floor and is sucked off through the slots in the booth floor, and delivered to the cyclone separator (2) as powder/air mixture.

In the cyclone separator, the powder is separated by the influence of centrifugal force. The separated powder is cleaned in the integrated sieve (3) and transported back to the powder container by a dense phase conveyor (4), where it is available again for the coating process.

The rest of the non-separated powder (most of it is fine particles) goes into the After Filter (5). The After Filter separates the powder into a refuse container (6), which is positioned directly under the filter elements and is very easy to empty. Then, the cleaned air leaves the filter and is fed directly back into the workshop environment.

## Booth - superstructure

The MagicCompact BA03 booth superstructure is a double walled plastic panel construction, ensuring an optimum powder repelling effect.

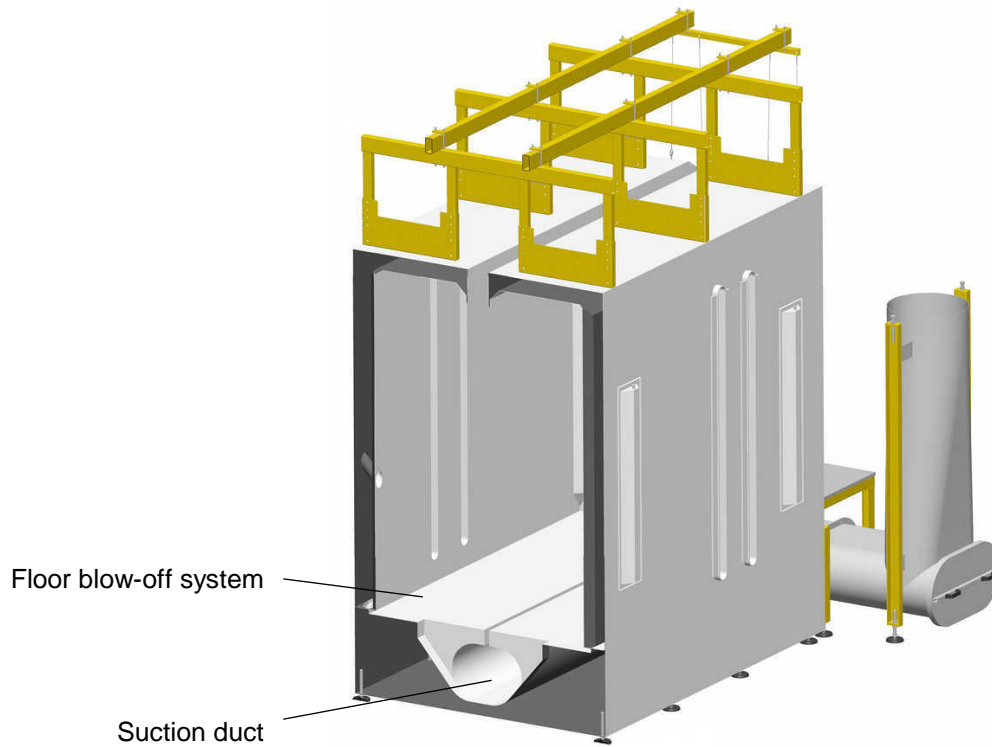
All grounded parts, including the booth superstructure supports, are positioned at the necessary required distance outside of the booth. This ensures the powder repelling effect of the booth, also for a longer coating period.

The interior of the booth is illuminated by lightings, which are fitted into the booth ceilings.

The basic version of the MagicCompact BA03 booth has no hand coating openings. The booth can be equipped either on one or both sides with manual coating equipment, as precoating or touch-up station alternatively.

---

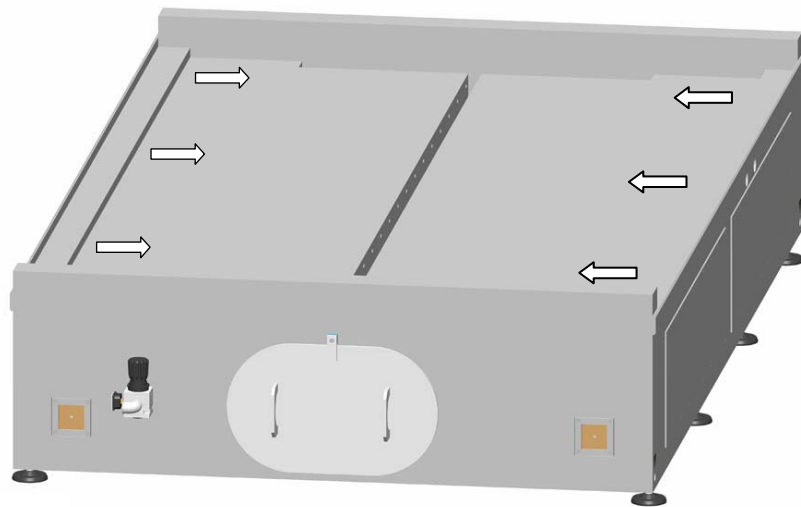
## Booth - basement



### *MagicCompact BA03 - basement*

The booth basement consists of reinforced plastic material. The booth basement contains the floor blow-off unit and the powder suction (suction duct).

## Floor blow-off system



*MagicCompact BA03 - floor blow-off system (arrows = blow-off direction)*

A blow-off rail with blow nozzles is integrated lengthwise into the MagicCompact BA03 booth floor. The blow-off rail consists of various segments, which can be pneumatically controlled one by one.

The required blow-off pressure depends on the booth size and the powder type. In preset intervals, the nozzles blow the powder, located on the floor, in the direction of the suction slots. The powder is aspirated via the slots, cleaning the booth floor in this way.

The valves for the control of the floor blow-off segments are located in the booth basement.



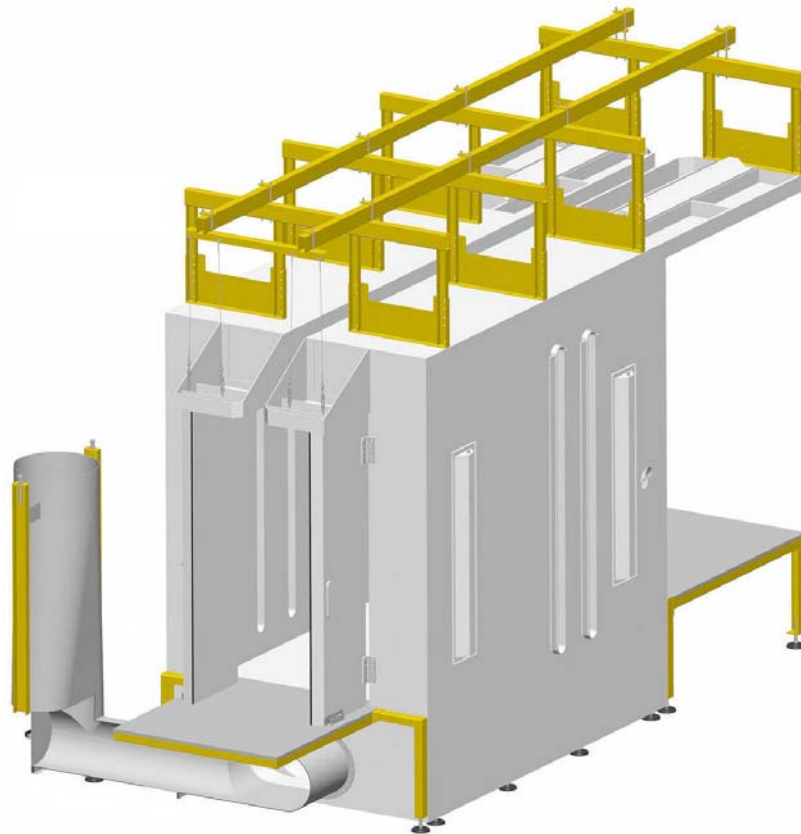

---

**Note:**

**The compressed air input pressure for the floor blow-off system must be set at 5.0 bar!**

---

## Powder suction



*MagicCompact BA03 - powder suction (cutaway view)*

The powder suction takes place via a lengthwise suction duct in the booth floor. The powder, which has been blown by the floor blow-off system in the direction of the suction slot, is then sucked in along the entire booth length.

The suction duct is gathered in a cross duct at the booth end, which can be visually controlled through a service lid. The ducts are autocleaning and can be blown out with compressed air.

The collected powder is delivered to the cyclone separator.

Any deposited overspray powder on the walls must sometimes be moved manually.

---

## Exhaust air system with After Filter

An efficient exhaust air system is used to keep the area around the booth clean and to prevent explosive powder/air mixtures. The exhaust air is created by the fan in the After Filter.

Detailed information about the After Filter is found in the corresponding operating manual.

---

## Fire protection

For safety reasons, it is recommended to equip the plant with a CO<sub>2</sub> fire extinguishing system. An existing fire protection is merged in the security concept of the plant and assumes the plant interlocking release.

---

## Cleaning operation mode

During the automatic gun cleaning, the work piece entrance and exit door are closed, thereby an increased air inlet speed results at the remaining openings at the booth.

This ensures a dust-free environment around the booth during the color change procedure.

### Automatic booth cleaning

The cleaning of the booth floor takes place automatically with the combination of the floor blow-off system and the powder suction (see the chapter on "Booth - basement")

---

## Powder recovery

A safe and clean powder recovery is ensured by following components:

- Cyclone separator
- Sieve machine
- Dense phase conveyor
- Powder center

The powder which does not adhere on the workpiece (overspray) is fed from the central suction opening in the funnel, through a conduction, to the cyclone intake. The powder is separated in the cyclone and then sieved in the sieve machine. The recovered powder is fed by the dense phase conveyor to the powder center and back into the powder container.



---

**Note:**

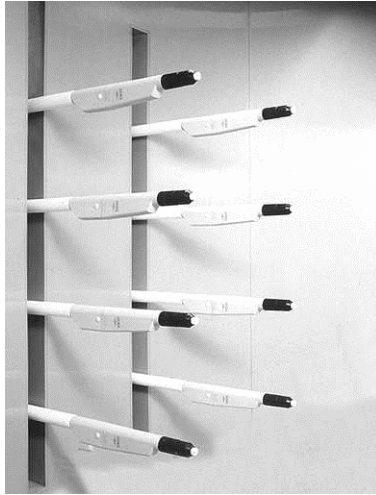
**Further information about the powder recovery components you will find in the corresponding user manuals!**

---

---

## Automatic guns

OptiGun-AX or PG 2-AX automatic powder gun types are used in the MagicCompact BA03 powder coating booth. These guns were particularly developed for an automatic, simple cleaning.



*MagicCompact BA03 - automatic guns*

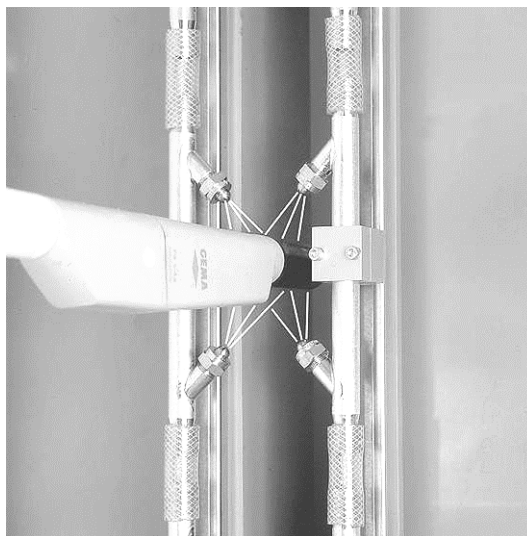
The connections for the powder hose, the high voltage and the electrode rinsing air are outside of the coating booth. These supply attachments are integrated into the gun, enabling the guns to be cleaned automatically by blow-off nozzles.

The powder hose connection makes possible a perfect fixing of the powder hose by the clamping device. This is a prerequisite for the automatic rinsing of the powder transport equipment (further information about automatic guns, see in the corresponding user manual).

On the BA03 MagicCompact booth, a distinction between light and dark colors is principally made.

---

## Cleaning the guns



*MagicCompact BA03 - cleaning the guns*

The automatic guns are cleaned very simply and quickly. The cleaning of the automatic guns takes place by the gun blow off equipment on the BA03 MagicCompact coating booth.

By activating the cleaning function on the control unit, the reciprocators and the guns move out of the booth. At the same time, each gun is blown off cleanly from the outside, by four flat jet blow-off nozzles.

These flat jet blow-off nozzles are found on the gun slots, on the outside of the booth. If necessary, this cleaning sequence can be repeated.





# Technical data

## MagicCompact BA03 powder coating booth

### Electrical data

MagicCompact BA03	
Input voltage	3x400 V / 50 Hz (other voltages and frequencies on request)

### Pneumatic data

MagicCompact BA03	
Input pressure	min. 6 bar / max. 10 bar
Air entry speed	0.7 m/sec
Rinsing air in filter housing	max. 18 Nm <sup>3</sup> /h
Water vapor content of compressed air	max. 1.3 g/m <sup>3</sup>
Oil content of compressed air	max. 0.1 mg/kg

### Compressed air consumption

MagicCompact BA03	
Rinsing air in filter housing	max. 18 Nm <sup>3</sup> /h

### Dimensions

MagicCompact BA03	
Booth length	max. 3 m (in the interior)
Booth width	1,4/1,8 m
Booth basement height	0,5 m
Weight Booth inside length 3000 mm Booth inside width 1800 mm Superstructure height approx. 3250 mm more or less weight per 500 mm length:	approx. 3300 kg  approx. 300 kg

## Sound pressure level

<b>MagicCompact BA03</b>	
Sound pressure level	max. 80 dB(A) in coating operation

The sound pressure level was measured while the unit was in operation; measurements were taken at the most frequent operator positions and at a height of 1.7 m from the ground.

The specified value is applicable only for the coating booth itself and does not take into account external noise sources or cleaning impulses.

The sound pressure level may vary, depending on the booth configuration and space constraints.

# Start-up

---

## Set-up and assembly

### Installation

Installation work to be done by the customer must be carried out according to local safety regulations!

---

## Cable connections / junctions

The connecting cables between control unit and guns must be laid out in such a way that they cannot be damaged during operation. Observe the safety regulations!

### Grounding

The booth grounding is to be checked at every start-up. The grounding connection is customer specific and fitted on the booth basement, the cyclone separator and the filter housing.



# Operation

---

## Before switching on the booth

- Strictly observe the safety regulations (see also "General safety regulations")
- Check the grounding of the booth and the other plant units and ensure it, if necessary
- If necessary, carry out a function check before starting work

After long stops/standstills

1. Fill in or refill powder
2. Check the tight seating of the filter cartridges
3. Place the refuse container under the After Filter

---

## Switch on the booth

1. Open the compressed air supply and set the input pressure for the After Filter
2. Turn on the main switch (the main switch is located on the control cabinet)
3. Turn the key switch, the control unit is activated, the operating unit is activated and the key switch returns to its starting position.
4. Start the system, the main menu appears on the operating unit, the fan in the powder center runs up
5. Activate the powder center (see therefore the corresponding user manual)

---

## Switching off the booth

1. Quit the automatic operation mode
2. Switch off the gun control units and all additional plant units
3. Switch off the system in the main menu
4. Switch off the powder center
5. Switch off the main switch

---

## Alarm messages

If malfunctions take place, the signal horn sounds and an alarm message is shown (see the chapter "Troubleshooting" and the control unit user manual).

---

## Filter cleaning

The filter cartridges in the After Filter are blown off cyclically from the inside during operation. The predetermined cycle times are set at the factory, but must be reset if the maximum differential pressure is repeatedly exceeded (this initiates an alarm).

The differential pressure is displayed on the pressure gauge:

- Pressure monitoring on the filter - is only displayed optically on the pressure gauge
- Pressure monitoring on the fan - is displayed optically and the alarm is initiated by 2 manostats (optically and acoustically)

The upper limiting value, by which the alarm is initiated, is plant-specific and is set by our trained service personnel when assembling the booth.

The setting of the cycle times must be done only by trained service personnel. The input is entered directly on the operating unit of the plant control (see also the operating manual of the plant control unit).

---

## Color change and cleaning

The color change can begin, when the last workpieces have left the booth. In automatic operation mode, the coating is stopped automatically.

Following, a step by step description of the color change procedure from bright to dark (or vice versa) is given. A prerequisite for a quick and efficient color change is that it is done by 2 people, so that some of these steps can be carried out simultaneously.

1. Prepare the booth for cleaning
  - The booth must be empty of hangers
  - Stop the conveying system
  - Close the booth doors
  - Switching over the booth control to cleaning operation
  - Move the guns to the cleaning position
2. Prepare the powder center for cleaning
  - Remove the powder container from the powder center (the recovery hose remains on the powder container)
  - Set the powder center to the cleaning mode
  - Coarse cleaning of the powder center
3. Clean the guns externally and move them to the blow off position
4. Blow off (internal cleaning) the powder hoses in direction from the powder center

5. Coarse cleaning of the booth
  - Coarse cleaning of the booth with the air lance
  - Open the cyclone cone and remove the sieve, leave the cyclone open
  - Remove the recovery hose from the powder container
6. Clean the booth
  - if necessary, move the guns out of the booth
  - if necessary, clean the muzzles etc.
  - Blow off the booth with the air lance, clean the suction opening
  - if necessary, wipe off the booth walls
7. Clean the powder center
  - if necessary, change the powder hoses (bright/dark)
  - Initiate the filter cartridges cleaning manually
  - Clean the powder center (floor, vibrating table, collecting container etc.)
8. Clean the recovery system
  - Connect the recovery hose to the blow off connector
  - Open the cyclone cone and clean the sieve
  - Blow off the recovery system
  - if necessary, wipe off the cyclone cone
  - Blow off the inside of the monocyclone with the air lance
9. Prepare the equipment for coating
  - Make the recovery system ready for operation
  - Put the powder center into coating operation (insert the powder container with the new color, move down the injectors)
  - Put the booth into coating operation (switch on the plant, move the XT axis into coating position, start the correct reciprocators program)
10. Check the guns for functioning (high voltage and powder output)

**Remark:**

This short instructions should facilitate, above all, the handling of the plant for the daily, always recurring works. They do not replace by any means the enclosed manuals of the components, and presuppose that you read and understand the corresponding chapters in the operating manual as well as the safety regulations.





# Maintenance

---

## Maintenance and repair

### Daily or after each shift

- Blow off the powder hoses
- Clean the guns externally and the check wearing parts
- Check the vibrating sieve of the cyclone separator and clear away contamination with an industrial vacuum cleaner

### Weekly

(in single-shift works, or in each fifth shift in multi-shift works)

- Check the clean air chamber in the After Filter housing for powder deposits through the inspection window of the filter housing above the door. If powder deposits are present, this is an indication of defect filter elements (replace the filter elements, see After Filter operating instructions).
- Check all oil separators and if necessary, empty (if oil is present, the compressed air preparation must be checked)

### Biannually

- Disconnect the measuring lines of the pressure gauges on the manometer, and blow it off from the manometer to the measuring point (beginning of the line). H = high, L = low



---

**Note:**

**The indicated blowing direction is absolutely to be observed!**  
**The parts to be replaced during maintenance are available as spare parts, see the spare parts list!**

---

---

## Maintenance and repair of the cyclone separator

The following activities on the cyclone should be carried out regularly:

- Remove powder deposits and caked powder
- Check the gaskets, sealing strips and locking mechanisms (covers etc.) for functioning and sealing
- Replace the material abraded from the cyclone inside walls by abrasive powders (by build-up welding)

Further information, see the corresponding operating manual!

---

## Maintenance and repair of the sieve machine

The following activities on the sieve machine should be carried out regularly:

- Check the gaskets and if necessary, replace them
- Check the clamping force of the clamping levers and if necessary, reset them
- Clean the sieve mesh, or if damaged, replace it

Further information, see the corresponding operating manual!

---

## Maintenance of the After Filter pressure gauges (filter and fan)

The following check should be carried out regularly:

- Notice the pressure on the pressure gauges and compare with the original pressure values, which were set by the Gema service engineer at the first start-up
- If errors arise, see the troubleshooting guide and the After Filter operating instructions
- If it is not possible to adjust the original settings, please contact an Gema service center

Further information, see the corresponding operating manual!

---

## Replacing spare parts

Spare parts are to be replaced by trained personnel only. The plant must always be switched off, when replacing spare parts. Spare parts can be ordered from the spare parts list.



---

**Note:**

**Only original Gema spare parts should be used!**

---

---

# Functional check

## General information

A function check is to be carried out:

- After a replacement of spare parts on the booth or on the electrical part of the booth, or on plant units connected to the booth
- After manipulations on the electrical part, or on external plant units connected to the booth control unit, or on the booth control unit itself
- after long stops/standstills

## Procedure of the function check

1. Switch on the main switch, control units and all interlocked equipment should not be able to be switched on
2. Turn the key switch, the control unit is activated, the operating unit is activated and the key switch returns to its starting position. Control units and all interlocked equipment should not be able to be switched on
3. Start the system, the main menu appears on the operating unit, the fan in the powder center runs up
4. The operation of the powder center is described in the corresponding user manual
5. If the powder container is positioned on the vibrating table in the powder center, the coating function can be initiated. The injectors move downwards and the level control unit is activated. The vibrator and the fluidization are switched on
6. Switch on the gun control units
7. Activate the automatic function on the operating unit, the reciprocators move to the reference point. All interlocked plant units are enabled (ES control unit etc.)
8. The control units and all interlocked plant units are ready for operation
9. The message "too little powder" appears on the operating unit after a delay, and the alarm horn sounds



# Troubleshooting

---

## General information




---

**Warning:**  
**Faults may be fixed by trained personnel only!**

---

Malfunctions, which arise during operation, are registered together with emergency stops in a list with date and time indications. An error message is displayed on the operating unit of the control unit.

If a fault arises, the plant is not stopped. However, if an emergency stop arises, the whole plant (or units) are switched off and the emergency stop mask is displayed on the operating unit.

The alarm horn sounds at the same time with every message (malfunction or emergency stop).

---

## Problem fixing

Problem/error/malfunction	Procedures/remedy
Alarm has been released: Message <b>too little powder bright (dark)</b> Display flashes in the powder center Powder shortage in the powder container	Acknowledge error, fill in fresh powder Switch off the alarm, fill in fresh powder
Alarm has been released: Message <b>EMERGENCY STOP protective switch</b> Motor malfunction exhaust air fan, corresponding motor protection switch has reacted	Let the motor cool down, switch on the corresponding motor protection switch again (see wiring diagram), see also the "Troubleshooting" section in the After Filter operating manual. In the case of repeated alarm, contact your Gema service center

Problem/error/malfunction	Procedures/remedy
<p>The pressure increase is indicated on the filter manometer</p> <p>Pressure increase on the filter cartridges</p>	<p>Switch off the gun control units, wait until the differential pressure returns to normal again. Check the cleaning cycles by ear, if necessary, shorten the pause times in the cleaning cycle. Check, if the cleaning pressure is set on 5 bar on the pressure input valve (see also the section "Troubleshooting" in the After Filter operating manual)</p> <p><b>Warning:</b>  <b>If the pressure gauge shows a pressure rise higher than 3 kPa, contact your Gema service center immediately!</b></p>
<p>Alarm has been released:</p> <p>Message <b>Fan overpressure</b></p> <p>Minimum pressure in filter housing not reached - corresponding pressure gauge responding</p>	<p>Too little pressure, too much exhaust air, because too little or no air resistance</p> <p>Filter housing door is open</p> <p>Sieve machine not fitted tightly on the cyclone separator</p> <p>Waste container not fitted tightly (see also the troubleshooting section in the After Filter manual)</p>
<p>Alarm has been released:</p> <p>Message <b>Fan low pressure</b></p> <p>Maximum pressure in the filter housing exceeded - corresponding pressure gauge responding</p>	<p>Pressure too high, insufficient exhaust air because the air resistance is too high</p> <p>Filter clogged (valves defect or cleaning pressure too low, at least 5 bar)</p> <p>Poor compressed air quality (contains oil or water)</p> <p>Malfunctions on running-in, until the filter cake is built up on the filter cartridges (see also the "Troubleshooting" section in the After Filter operating manual)</p>
<p>Alarm has been released:</p> <p>Message <b>Guns not OK</b></p> <p>Diagnostic adaptor of the guns indicates, that no high voltage is being produced</p>	<p>Turn on the gun control unit, or correct the fault in the gun control unit or gun with the information in the corresponding operating instructions</p>

Problem/error/malfunction	Procedures/remedy
Bad separation efficiency of the cyclone	<p>Check all gaskets, above all, on the powder separation of the cyclone and if necessary, repair them</p> <p>Check the exhaust air volume flow, if necessary, clear blocked tubes or repair the After Filter</p> <p>Check the cyclone casing for holes, caused by wear</p> <p>Check the pretension force of the closings</p>
Sieve clogged up	<p>Check the powder for dampness</p> <p>Check, if too much powder was fed through the cyclone, e.g. during the booth cleaning</p> <p>Check, if the vibration motor is switched on</p> <p>Check, if the vibration is strong enough</p> <p>If necessary, adjust the oscillating weights on the vibration motor</p>
Automatic floor blow-off system not OK	<p>Check the compressed air supply</p> <p>Pressure reducing valve defective or adjusted incorrectly</p> <p>Solenoid valve defective (coil, cable) or missing signal</p>

## Setting values



**Note:**

**The setting values for the powder center and other plant units you will find in the corresponding operating instructions!**





# Spare parts list

---

## Ordering spare parts

When ordering spare parts for powder coating equipment, please indicate the following specifications:

- Type and serial number of your powder coating equipment
- Order number, quantity and description of each spare part

**Example:**

- **Type** MagicCompact BA03  
**Serial number** 1234 5678
- Order no. 203 386, 1 piece, Clamp - Ø 18/15 mm

When ordering cable or hose material, the required length must also be given. The spare part numbers of this bulk stock is always marked with an \*.

Wearing parts are always marked with a #.

All dimensions of plastic hoses are specified with the external and internal diameter:

**Example:**

Ø 8/6 mm, 8 mm outside diameter (o/d) / 6 mm inside diameter (i/d)



---

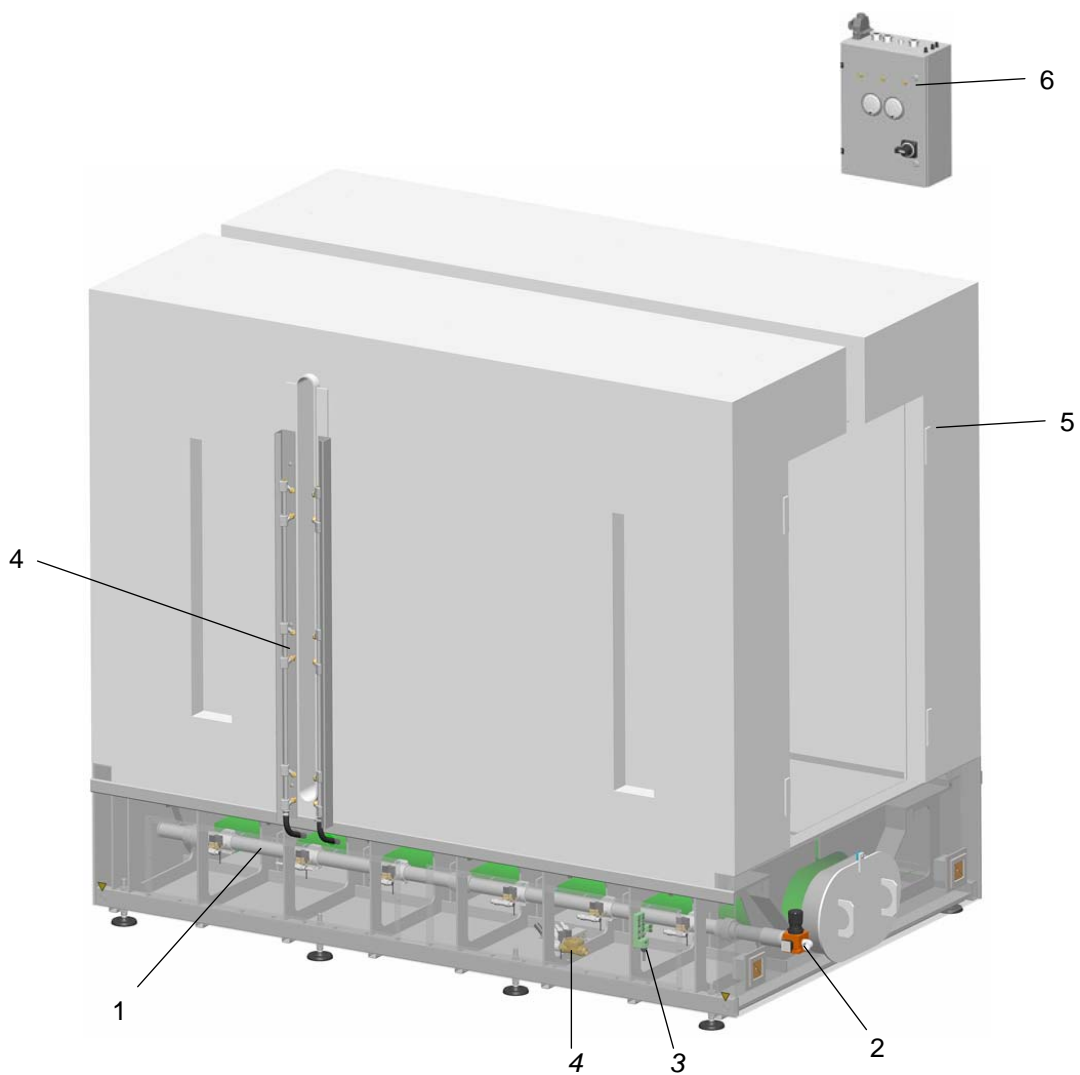
**WARNING!**

**Only original Gema spare parts should be used, because the explosion protection will also be preserved that way. The use of spare parts from other manufacturers will invalidate the Gema guarantee conditions!**

---

## MagicCompact BA03 - spare parts list

- |   |  |
|---|--|
| 1 | Floor blow-off system - Pneumatics (see separate spare parts list) |
| 2 | Pressure regulator (see separate spare parts list)                 |
| 3 | Sensor/Actor-Box (see separate spare parts list)                   |
| 4 | Gun blow off equipment (see separate spare parts list)             |
| 5 | Door drive unit (see separate spare parts list)                    |
| 6 | Fan control unit (see separate spare parts list)                   |

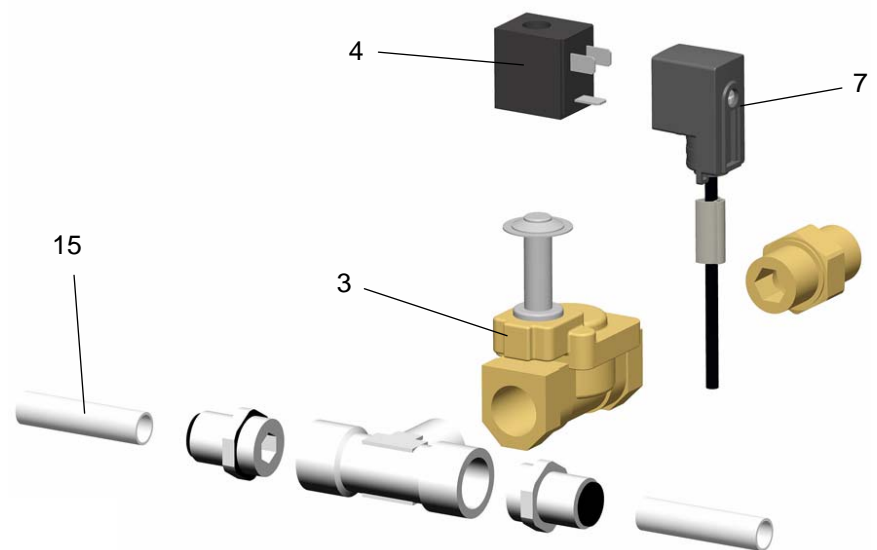


*MagicCompact BA03 - spare parts*

## Floor blow-off system - Pneumatics

3	Solenoid valve - 1/2", NW 13.5; 24 VDC	1005 120
4	Valve coil for pos. 3 - 24 VDC	1005 119
7	Valve cable - 3 pins, M12, for pos. 4	1008 244
15	Hose - Ø 12/10 mm	100 382*

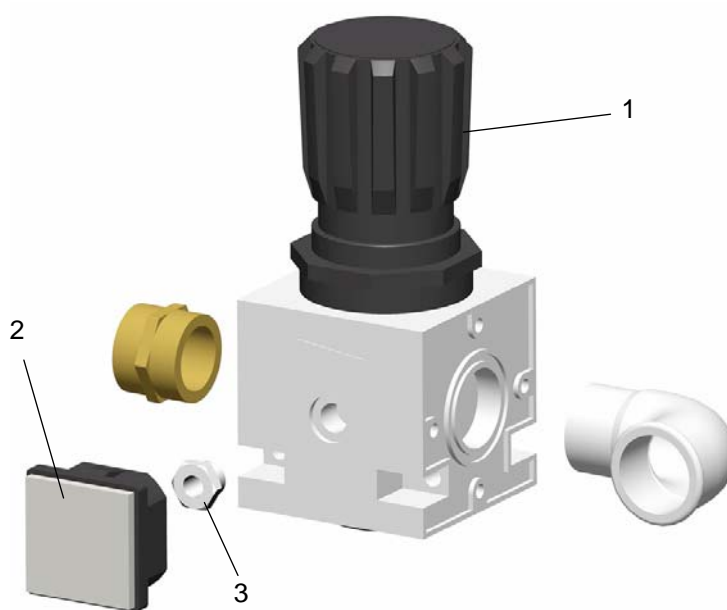
\* Please indicate length



*MagicCompact BA03 - Floor blow-off system - Pneumatics*

## Pressure regulator

1	Pressure regulator - 0-8 bar, 1"i	1008 185
2	Pressure gauge - 0-10 bar, 1/8a	243 620
3	Adapter nipple - 1/8i-1/4a	231 932



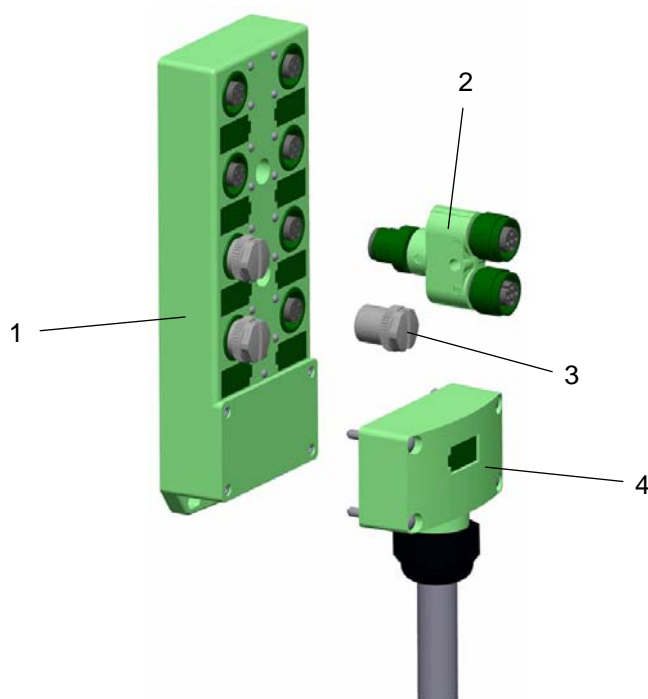
*MagicCompact BA03 - Pressure regulator*

---

## Sensor/Actor Box

1	Sensor-/Actor Box - M12 8P	1008 242
2	Y-distributor - threefold, M12	1008 246
3	Plug screw - M12	1006 905
4	Sensor-/Actor cable - 30 m	1008 243

---



*MagicCompact BA03 - Sensor/Actor Box*

---

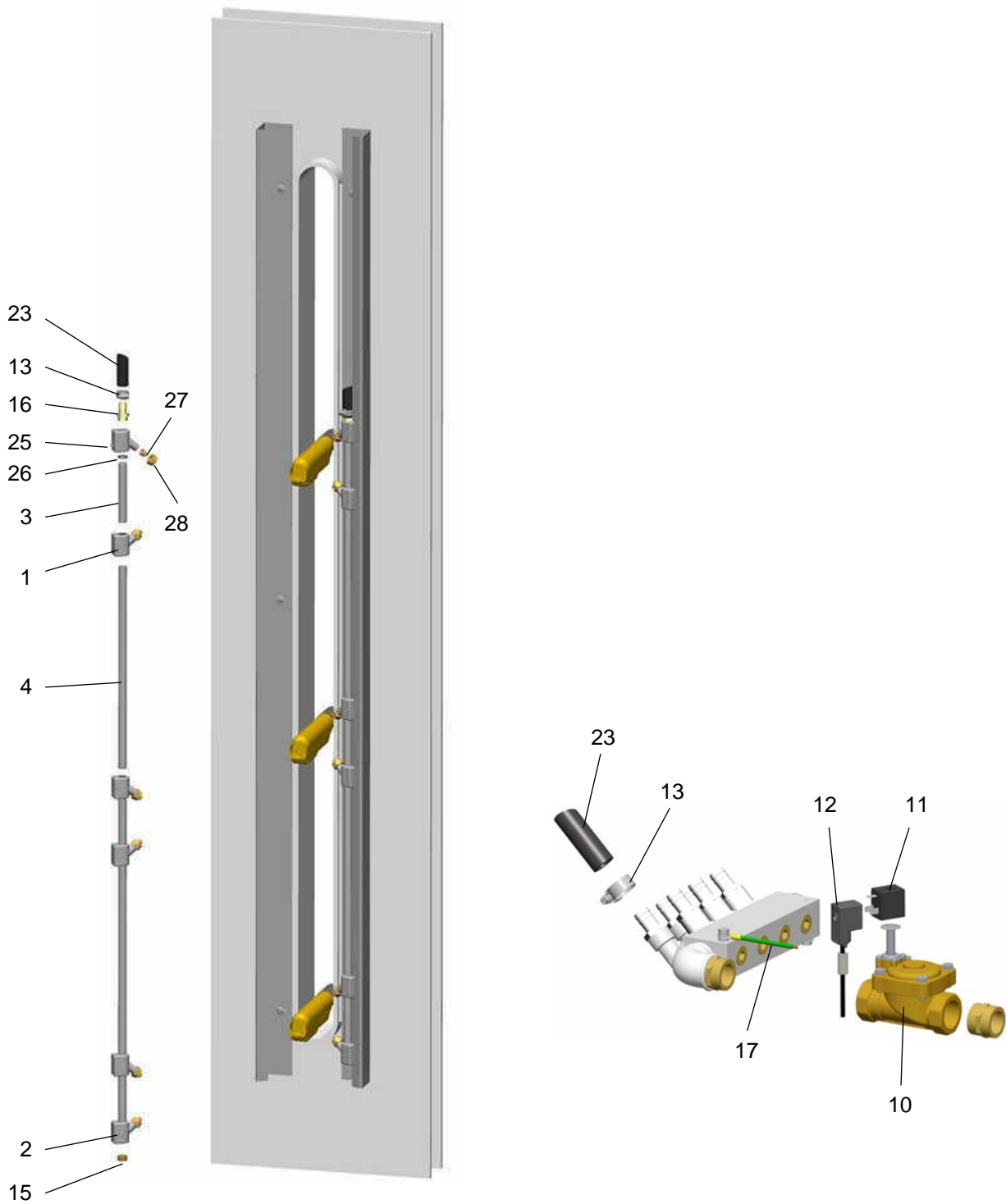
## MagicCompact BA03 - gun blow off equipment

1	Intermediate piece - complete	381 110
2	End piece - complete	381 160
3	Tube - Ø 18/16 mm (distance between nozzles)	381 144
4	Tube - Ø 18/16, L=1950 mm	381 152
10	Solenoid valve	1005 592
11	Valve coil - 24 VDC (for pos. 10)	1005 119
12	Valve cable - 3 pins, M12, for pos. 11	1008 244
13	Hose clamp - Ø 17-25 mm	223 085
15	Plug cap - 1/2"a	259 306
16	Hose connector - Ø 17 mm, 1/2"a	223 069
17	Grounding cable - complete	1006 077
23	Compressed air hose - Ø 16.4/26.6 mm, black	105 155*
25	Allen grub screw - M6x10 mm	214 841
26	O-ring - Ø 18x2 mm	244 287#
27	Flat jet nozzle	250 716
28	Nozzle nut	250 724

\* Please indicate length

# Wearing part

# MagicCompact BA03 - gun blow off equipment



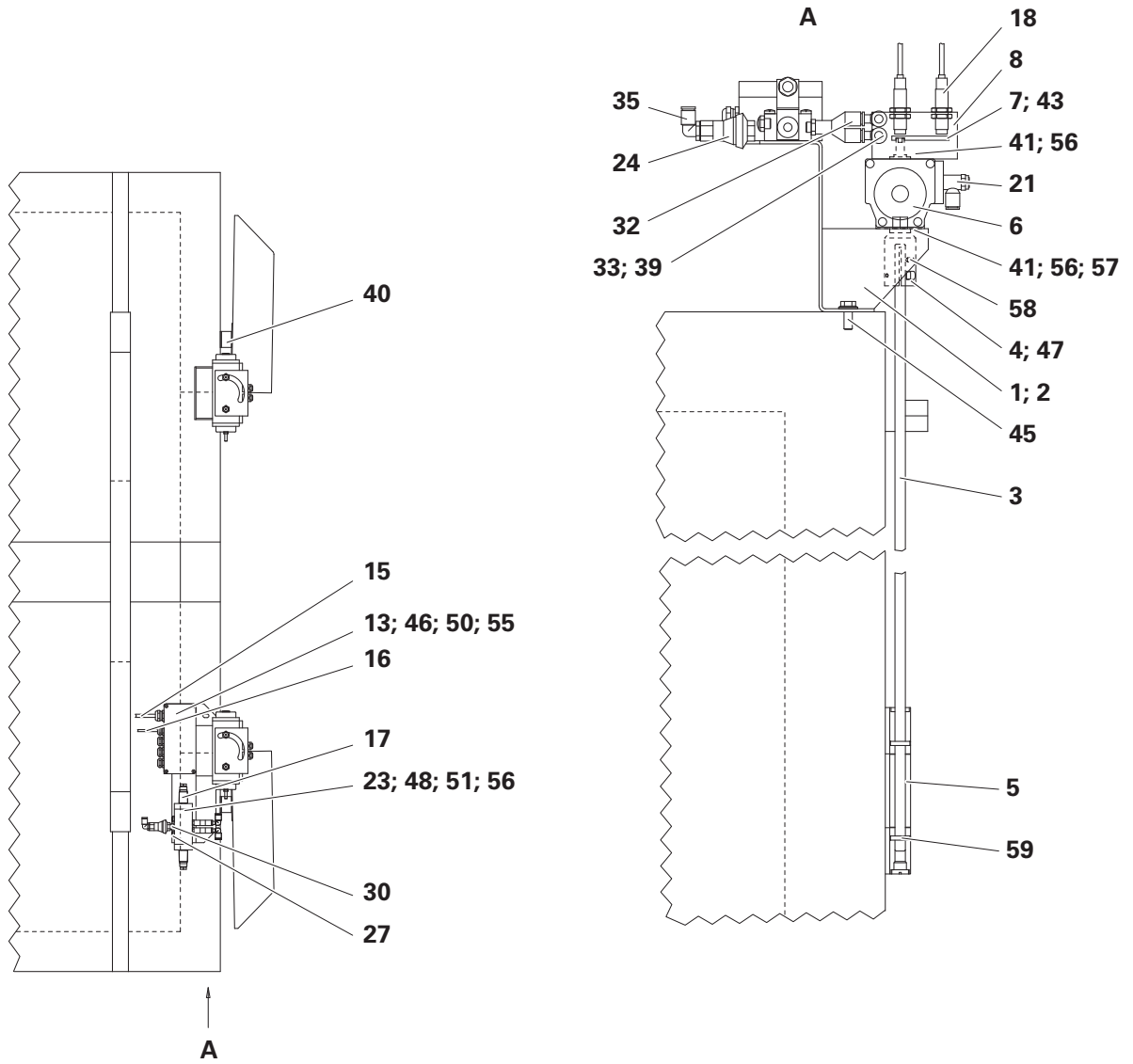
*MagicCompact BA03 - gun blow off equipment*

## MagicCompact BA03 - door drive unit

1	Holder - large	389 714
2	Holder - small	389 706
3	Drive shaft	MKC02-A026-4
4	Coupling	389 730
5	Hinge	373 770
6	Rotary actuator	389 790
7	Lever	389 749
8	Support	389 722
13	Connection case - complete	373 885
15	Cable - 7x0.75 mm <sup>2</sup>	100 536
16	Cable - 4x1 mm <sup>2</sup>	100 579
17	Valve cable - L=0.7 m	373 605
18	Proximity switch	246 760
21	Throttle check valve	266 825
23	Solenoid valve - 5-1/8", 220 VAC	259 705
24	Inline regulator - 6 bar	263 320
27	Silencer - 1/8"a	251 305
30	Double nipple - 1/8"a-1/4"a	242 209
32	Y-connection fitting - 1/8"a, Ø 8 mm	253 936
33	Adjusting elbow - Ø 8/8 mm	238 287
35	Elbow joint - 1/4"a, Ø 8 mm	254 029
39	Plastic tube - Ø 8/6 mm, black, antistatic	103 756
40	Rubber buffer - Ø 40x28 mm, M8a	248 592
41	Hexagon screw - M5x10 mm	205 699
43	Hexagon shakeproof screw - M6x12 mm	244 406
45	Hexagon shakeproof screw - M8x20 mm	244 422
46	Cylinder Allen screw - M4x20 mm	216 291
47	Cylinder Allen screw - M4x16 mm	216 283
48	Cap screw - M5x35 mm	201 715
50	Hexagon nut - M4	205 192
51	Hexagon nut - M5	205 150
55	Lock washer - M4	205 680
56	Lock washer - M5	205 168
57	Washer - Ø 5.3/10x1 mm	205 320
58	Allen grub screw - M4x8 mm	214 736
59	Coiled spring pin - Ø 4x20 mm	259 683



# MagicCompact BA03 - door drive unit



MagicCompact BA03 - door drive unit

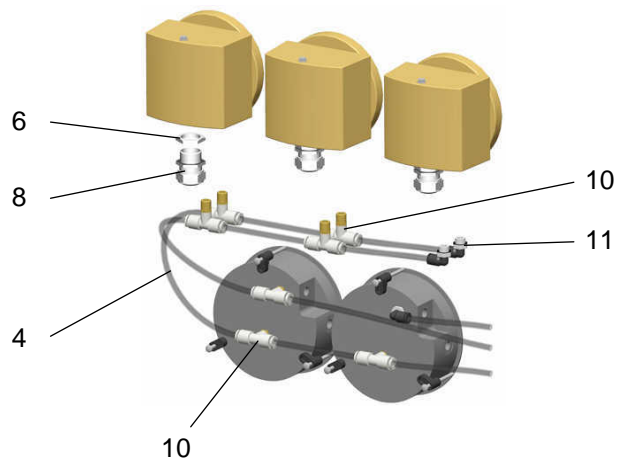
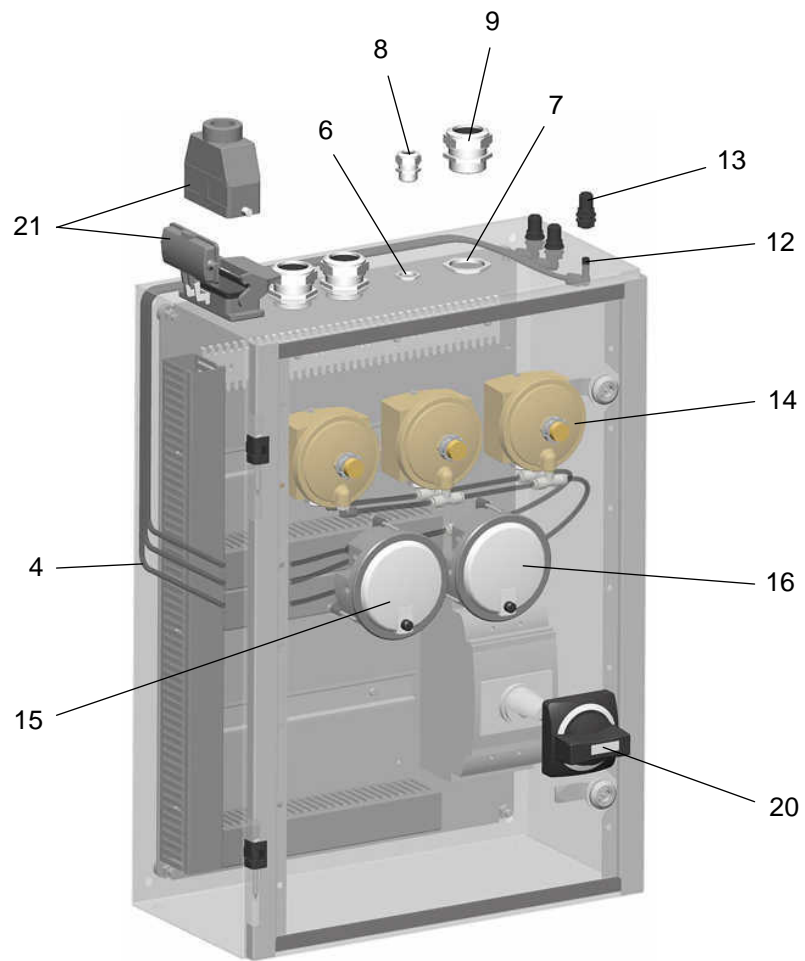
## MagicCompact BA03 - fan control unit

	Fan control unit - complete	see table
4	Plastic tube - Ø 6/4 mm	103 144#
6	Locknut - M20x1.5 mm	266 035
7	Locknut - M40x1.5 mm	265 357
8	Cable connection - M20/1/8-15 mm	266 019
9	Cable connection - M40/1/28.5-33 mm	265 349
10	Elbow joint - 6-1/8"-6 mm	245 950
11	Elbow joint - 1/8"a-Ø 6 mm	254 061
12	Adjusting elbow - Ø 6/8 mm	237 990
13	Lead-through connection - Ø 8/8 mm	253 880
14	Switch - 0,75-5,6 kPa	243 744
	Switch - 1.25-11.0 kPa	243 752
15	Pressure gauge - 0-2.5 kPa, differential pressure	243 760
	Pressure gauge - 0-5.0 kPa, differential pressure	243 779
16	Pressure gauge - 0-5.0 kPa, differential pressure	243 779
	Pressure gauge - 0-8.0 kPa, differential pressure	251 844
20	Main switch - see corresponding wiring diagram	
21	Connecting socket/plug - see corresponding wiring diagram	

# Wearing part

Order number	Motor performance (kW)	Pressure gauge (kPa)	
		Filter (pos. 15)	Fan (pos. 16)
1004 358	5.5	5.0	8.0
1004 359	7.5	5.0	8.0
1004 937	11	2.5	5.0
1004 360	11	5.0	8.0
1004 938	15	2.5	5.0
1004 361	15	5.0	8.0
1002 178	22	2.5	5.0
1002 205	22	5.0	8.0
1002 179	30	2.5	5.0
1002 174	30	5.0	8.0
1002 180	37	2.5	5.0
1002 175	37	5.0	8.0
1002 176	45	5.0	8.0
1002 177	55	5.0	8.0

# MagicCompact BA03 - fan control unit



*MagicCompact BA03 - fan control unit*